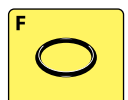
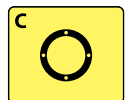
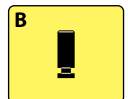
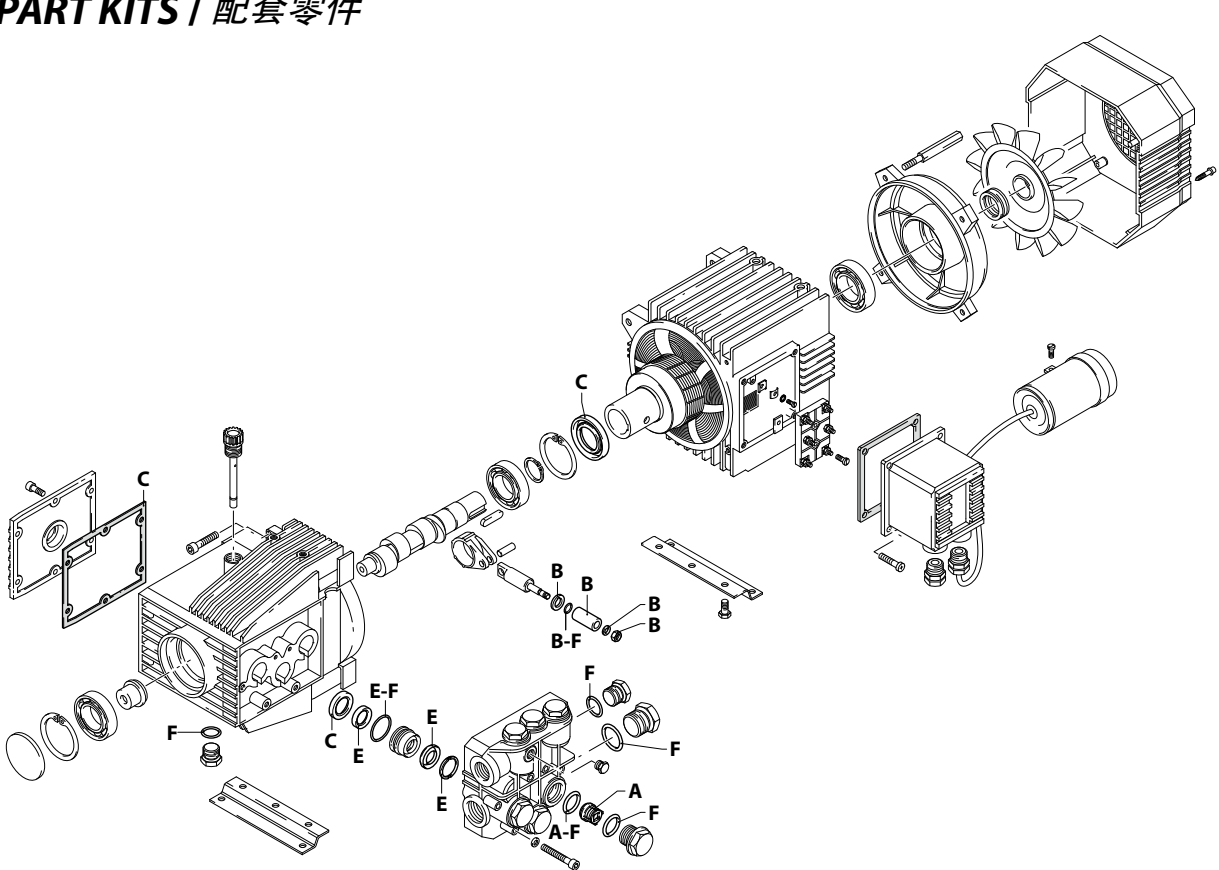


UN002751-AV

PART KITS / 配套零件



UN002752-AV

126 Series

HPE 1450 rpm

8.12 A 8.14 9.11 9.14 10.10 10.12 A
11.09 11.11 13.10



Pos. 序号	Cod. 编号	Description	描述	Qt 数量	Note 备注	Pos. 序号	Cod. 编号	Description	描述	Qt 数量	Note 备注
1	1260760	Screw	TCEI M5x20	6	C=5Nm	46	1260080	Pin	插针	3	
2	1269101	Cover	completo	1		47	1260070	Piston	di guida	3	
3	1260040	Oil seal		1		48	1260091	Plate	分隔碟	3	
4	1260480	Plug		1		49	480480	O-ring	Ø 4,48x1,78	3	
5	1260780	Screw	TCEI M5x25	4	C=4Nm	50	1260100	Washer		3	
7	1260180	Shaft	marcato 4	1	● ■	51	1260110	Nut	M8	3	C=12Nm
	1260190	Shaft	marcato 5	1	▼ ◆	52	1260470	Screw	TE M8x10	4	C=20Nm
	1320260	Shaft	marcato 7	1	◆ ✕	53	1261551	Screw	TC 3,9x13	4	
	1260200	Shaft	marcato 6	1	○ □ ▲	54	1261720	Clamp		1	
9	1260430	Ring		1		55	1262200	Gasket		1	
10	1260790	Ring	seeger Øi 52	1		55	1260400	Gasket		1	
11	1260750	Oil seal		1		56	1261560	Screw	TC 3,9x16	4	C=5Nm
12	1260950	Bearing		1		57	1271950	Cable retainer		1	1~
13	1260960	Shield		1		57	1271940	Cable gland		1	3~
14	1260360	Stud bolt		4	C=8Nm	58	1269090	Cable retainer		1	1~
15	1260970	Seal		1		58	1271930	Cable retainer		1	3~
16	1260300	Fan		1		61	1263520	Capacitor	40 µf	1	1~
21	740290	O-ring	Ø 14x1,78	2		62	1269100	Clamp		1	
22	1980740	Plug	3/8" G ottone	2	C=25Nm	63	1261710	Box		1	
23	1260460	Oil seal		3		64	620301	Plug	1/8" G	1	
24	1260420	O-ring	Ø 26,70x1,78	3		65	1261410	Box		1	Optionals
25	1260440	Water seal	Ø 15	3	○ □	66	1261230	Switch		1	3~ Optional
26	1260450	Water seal	Ø 18	3	● ■ ▼ ◆ ▲ ✕	67	1261240	Switch		1	1~ Optional
26	1260151	Piston guide	Ø 15	3	○ □	68	1265180	Gasket		1	Optional
27	1320351	Piston guide	Ø 18	3	● ■ ▼ ◆ ▲ ✕	69	1261210	Cable		1	1~ Optional
27	1271650	Water seal	Ø 15	3	○ □	70	1266530	Cable		1	3~ Optional
27	1780720	Water seal	Ø 18	3	● ■ ▼ ◆ ▲ ✕	72	1260340	Box		1	1~ Optional
28	1260140	Ring	appoggio Ø15	3	○ Ot./Br.	73	1262180	Switch		1	1~ Optional
28	1260141	Ring	appoggio Ø15	3	○	73	1263790	Switch		1	1~ Optional
28	1520120	Ring	appoggio Ø15	3	□	73	1263110	Switch		1	1~ Optional
28	1320340	Ring	appoggio Ø18	3	● ■ ▼ ◆ ▲ ✕	74	1265080	Gasket		1	1~ Optional
29	1260120	Piston	Ø 15	3	○ □	81	1271880	Screw	TC 4x10	1	1~
29	1260210	Piston	Ø 18	3	● ■ ▼ ◆ ▲ ✕	82	1340280	Clamp		1	1~
30	1260830	Foot		2		83	1266740	Oil seal		1	
31	820361	Plug	1/2" G ottone	1	C=30Nm	84	1260790	Ring	seeger Øi 52	1	
32	180101	O-ring	Ø 17,5x2	1		85	1320370	Bearing		2	
33	1260021	Head		1	● ○	86	1320330	Bushing		1	
33	1262220	Head		1	◆ ▼	87	1271220	Pump body		1	○ □ ▲ ◆ ✕
33	1262226	Head		1	◆ ▼ ▲ ✕	87	1260012	Pump body		1	● ■ ▼ ◆ ✕
33	1320022	Head		1	□ ▲ ✕	87	1269218	Head assembly		1	○
33	1320020	Head		1	■	87	1269219	Head assembly		1	●
34	1261760	Fan cowling		1		87	1269220	Head assembly		1	◆
35	880830	O-ring	Ø 15,54x2,62	6		87	1269221	Head assembly		1	□
36	1269050	Complete valve		6		87	1269222	Head assembly		1	■
41	960160	O-ring	Ø 17,86x2,62	6		87	1269250	Head assembly		1	▼ ▲
42	1260162	Plug		6	C=35Nm	92	4817	Motor	马达	1	○ ▼ ●
42	1260161	Plug		1	Optional	92	4821	Motor	马达	1	▲
43	680570	Screw	TCEI M6x60	6	C=10Nm	92	4960	Motor	马达	1	□ ■ ✕ ◆
44	1380520	Key		1		93	1381550	Washer	SCHNORR 垫片	6	
45	1260060	Connecting-rod	alluminio	3		94	1980740	Plug	3/8" G ottone	1	C=20Nm
45	1320140	Connecting-rod	bronzo	3							

PART KITS - 配套零件

A=KIT 1864 valves 单向阀		B=KIT 2628 Ø 15 pistons 柱塞		B=KIT 2629 Ø 18 pistons 柱塞		C=KIT 1865 oil seals 油封	
Pos. 序号	Q.ty 数量	Pos. 序号	Q.ty 数量	Pos. 序号	Q.ty 数量	Pos. 序号	Q.ty 数量
35	6	29	3	29	3	3	1
36	6	48	3	48	3	11	1
		49	3	49	3	23	3
		50	3	50	3		
		51	3	51	3		

E=KIT 1866 Ø 15 water seals 水封		E=KIT 42479 Ø 18 water seals 水封		F=KIT 2040 O-rings O型圈	
Pos. 序号	Q.ty 数量	Pos. 序号	Q.ty 数量	Pos. 序号	Q.ty 数量
24	3	24	3	21	2
25	3	25	3	24	3
27	3	27	3	32	1
28	3	28	3	35	6
				41	6
				49	3

SIMBOLOGIA - 标记

○ For / 用于 HPE 8.12A	● For / 用于 HPE 9.11	▼ For / 用于 HPE 10.10	▲ For / 用于 HPE 11.09
□ For / 用于 HPE 8.14	■ For / 用于 HPE 9.14	◆ For / 用于 HPE 10.12A	✕ For / 用于 HPE 11.11
			◆ For / 用于 HPE 13.10

C Tightening torque tolerance 0÷10% / 拧紧力矩公差 0÷10%

SPECIAL PARTS / 特殊配件

Cod. 编号	Description - 描述	Q.ty 数量
2029	Water seals Ø 15 / 水封 Ø 15	1
2030	Water seals Ø 18 / 水封 Ø 18	1

Oil - 机油	
Type / 类型	Quantity / 数量
SAE 15W40	0,38 Kg