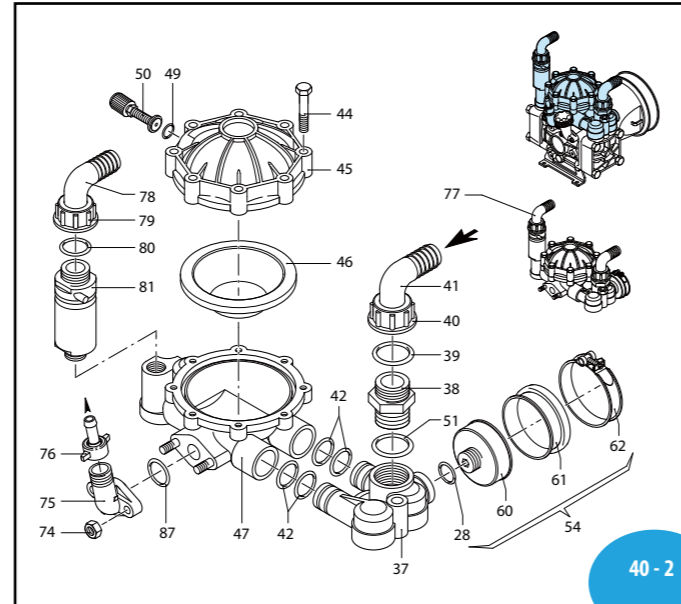


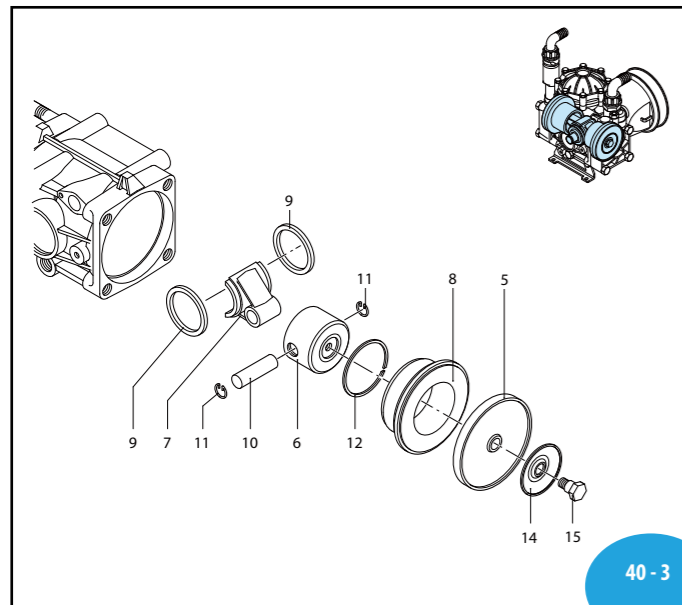
40 - 1

UN000352-DD



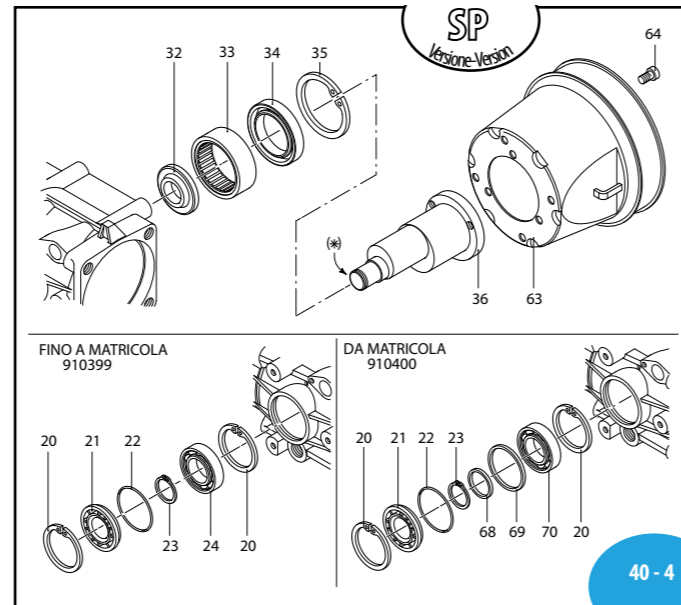
40 - 2

UN000353-DD



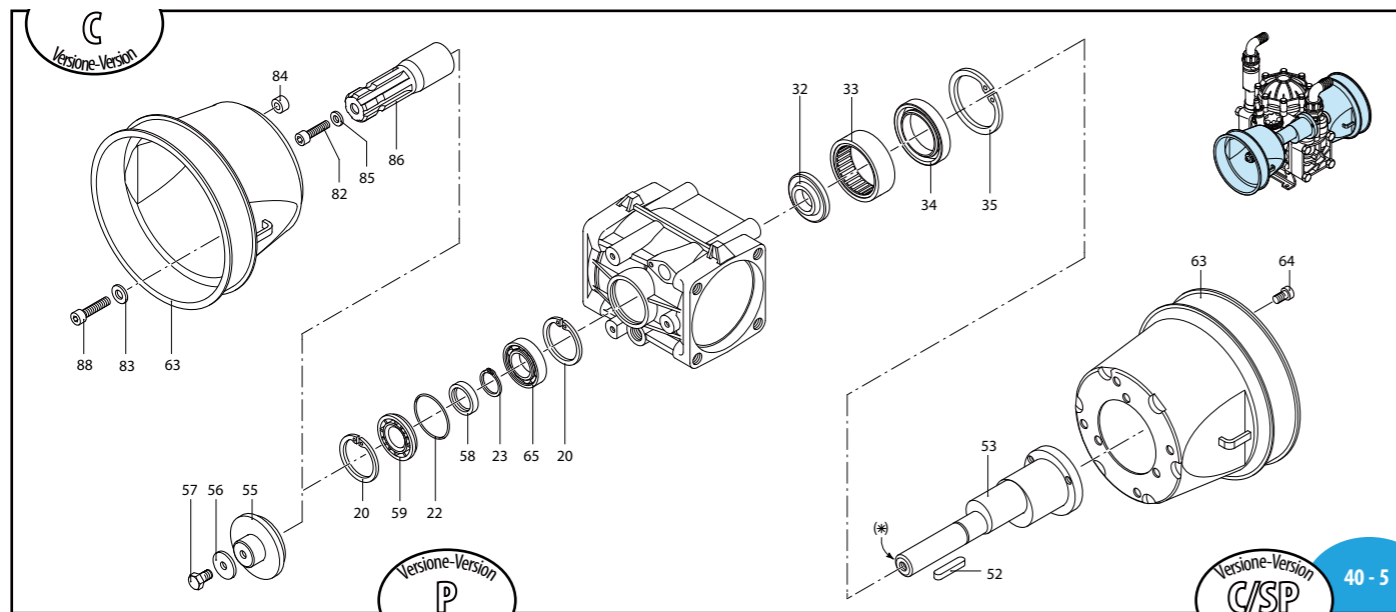
40 - 3

UN000354-DD



40 - 4

UN000355-LE



40 - 5

UN000356-DD

Pos. 序号	Cod. 编号	Description	描述	Q.ty 数量	Note 备注
1	620011	Pump body	泵体	1	
2	620101	Right head	右泵头	1	
3	620102	Left head	左泵头	1	
4	621430	Bolt M 12x55	螺丝 M12x55	8	C 50
6	620080	Diaphragm	隔膜	2	Gamma
7	620081	Diaphragm	隔膜	2	Viton
8	620085	Diaphragm	隔膜	2	Desmopan
9	620120	Piston	柱塞	2	
10	620140	Connecting rod	连杆	2	
11	620110	Sleeve	套筒	2	
12	580470	Con rod pin	连杆柱塞	2	
13	380300	Piston pin	柱塞插销	2	
14	380080	Pin ring	插销环	4	
15	160230	Piston ring	活塞环	2	
16	1040180	Plate	弹簧片	2	
17	580360	Diaphragm pin	隔膜插销	2	O C 20
18	180150	Nut M 10	螺母	2	
19	620030	O-Ring ø 25,80x3,53	O型圈	4	
20	620031	O-Ring ø 25,80x3,53	O型圈	4	Viton
21	629050	Complete valve	单向阀	4	
22	111120	Circlip	卡簧	2	
23	620020	Cover	盖子	1	
24	620210	O-Ring ø 40,95x2,62	O型圈	1	
25	620291	Circlip	卡簧	1	
26	620191	Bearing	轴承	1	
27	850850	Bolt M 6x30	螺丝	2	C 10
28	550331	Washer ø 6,5	垫圈	2	
29	180101	O-Ring ø 17,5x2	O型圈	2	
30	550030	Oil tank	机油箱	1	
31	550040	O-Ring ø 26,65x2,62	O型圈	1	
32	550050	Oil tank cap	机油箱盖	1	
33	620160	Spacer	隔离片	1	
34	550060	Roller bushing	滚轮套管	1	
35	620130	Seal ring	密封环	1	
36	620330	Circlip	卡簧	1	
37	620170	"SP" shaft	轴	1	(N)
38	620150	Suction manifold	抽吸歧管	1	
39	550340	Threaded adapter	螺口连接器	1	
40	550350	O-Ring ø 23,81x2,62	O型圈	1	
41	550242	Ring nut 1" G	环形螺母	1	
42	550370	Elbow ø 25	弯管	1	
43	390060	O-Ring ø 20,63x2,62	O型圈	4	
44	621780	Bolt M 8x40	螺丝	8	C 20
45	620230	Upper air chamber	升压气室	1	
46	550190	Semi air chamber	半气室	1	Gamma
47	550191	Semi air chamber	半气室	1	Saturflon
48	550192	Semi air chamber	半气室	1	Viton
49	620180	Lower air chamber	降压气室	1	

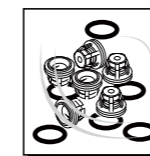
Pos. 序号	Cod. 编号	Description	描述	Q.ty 数量	Note 备注
49	629209	Compl.lower air chamb.	完全降压气室	1	Vedi / See ●
50	650542	Gasket	垫片	1	
51	180020	Air valve	空气阀	1	
52	390290	O-Ring ø 29x3	O型圈	1	
53	620680	Key	键	1	Per / For 620172
54	620172	Through-shaft "C/SP"	通过轴	1	ø 20 mm (P)
55	620174	Through-shaft "C/SP"	通过轴	1	ø 3/4" (R)
56	659209	Suct. diaphragm assembly	抽吸隔膜组件	1	
57	620661	Flange	法兰	1	
58	620670	Washer ø 8,5	垫圈	1	
59	180370	Bolt M 8x25	螺丝 M8x25	1	C 20
60	620630	Seal ring	密封环	1	
61	620021	Cover	盖子	1	
62	650660	Diaphragm holder	隔膜支持	1	
63	650670	Suction diaphragm	抽吸隔膜	1	
64	651670	Clamp	束环	1	
65	1500350	Cardan protection	万向保护罩	1	
66	820670	Bolt M 10x16	螺丝 M10x16	4	C 10
67	620190	Bearing	轴承	1	
68	880530	Plug 3/8" G	插头	1	C 20
69	740290	O-Ring ø 14x1,78	O型圈	1	
70	620930	Spacer	隔离片	1	
71	620940	Spacer	隔离片	1	
72	380230	Bearing	轴承	2	
73	380210	Bolt M 8x75	螺丝 M8x75	2	C 30
74	380240	Nut M 8	螺母 M8	2	
75	380200	Base	底座	2	C 20
76	450145	Flange	法兰	1	
77	110130	Fitting 1/2" G+hose ø13	接头	1	
78	1522	Complete air chamber	完全气室	1	
79	550460	Elbow ø 18	弯管	1	
80	550450	Ring nut 3/4" G	环形螺母	1	
81	880831	O-Ring ø 15,54x2,62	O型圈	1	Viton ▶
82	1609001	Safety valve	安全阀	1	
83	680350	Bolt M 8x35	螺丝 M8x35	1	C 20
84	380241	Washer ø 8,5	垫圈	3	
85	1200521	Spacer	隔离片	3	
86	961340	Washer ø 8,5	垫圈	1	
87	621370	Universal joint	通用关节	1	Per / For 620172
88	550350	O-Ring ø 23,81x2,62	O型圈	1	☒
89	680350	Bolt M 8x35	螺丝 M8x35	3	C 10

● With plug and o-ring for version without safety valve.
针对没有安全阀的型号使用插头和O型圈

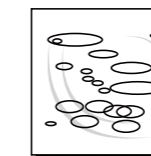
Medium Pressure
中压



KIT 1930 Buna diaphragms 丁纳橡胶隔膜	
Pos. 序号	Q.ty 数量
5	2
2	2



KIT 1917 Valves 单向阀	
Pos. 序号	Q.ty 数量
18	4
19	4



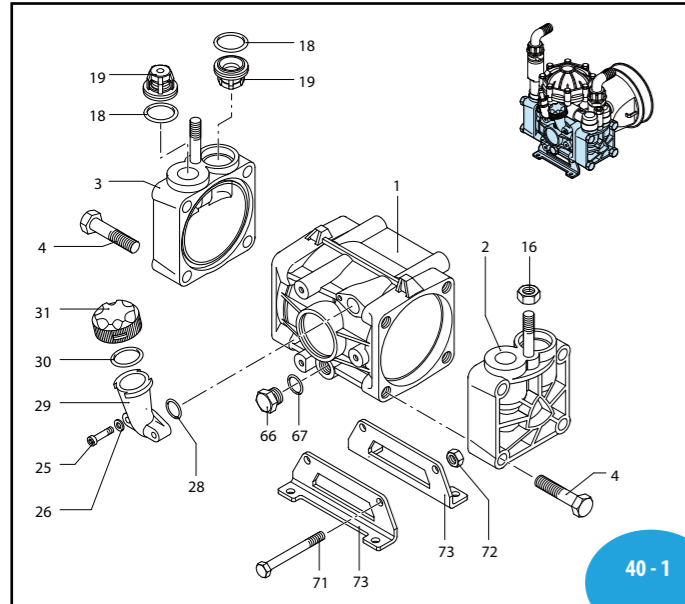
KIT 1916 O-Rings O型圈	
Pos. 序号	Q.ty 数量
18	4
22	1
28	2
39	2
42	4
49	1
51	1
67	1



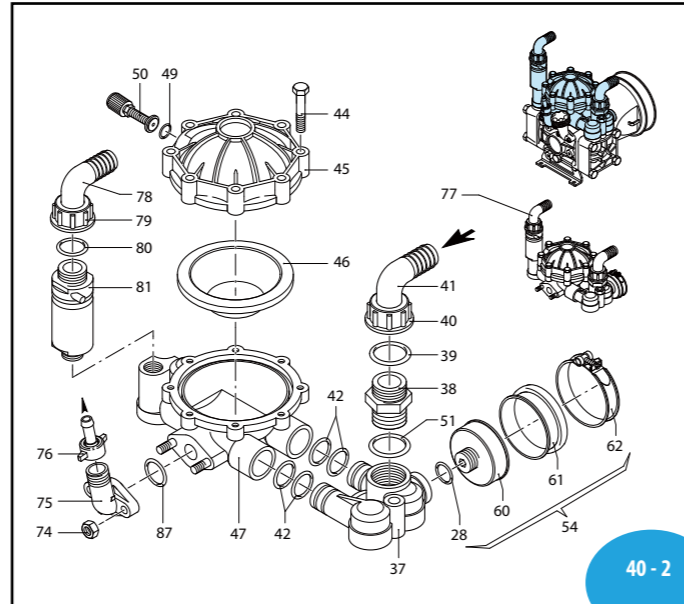
KIT 1915 Maintenance repair 维修工具					
Pos. 序号	Q.ty 数量	Pos. 序号	Q.ty 数量	Pos. 序号	Q.ty 数量
5	2	40	1		
13	1	41	1		
14	1	42	4		
15	1	46	1		
18	4	49	1		
19	4	51	1		
22	1	61	1		
28	2	67	1		
29	1				
39	2				



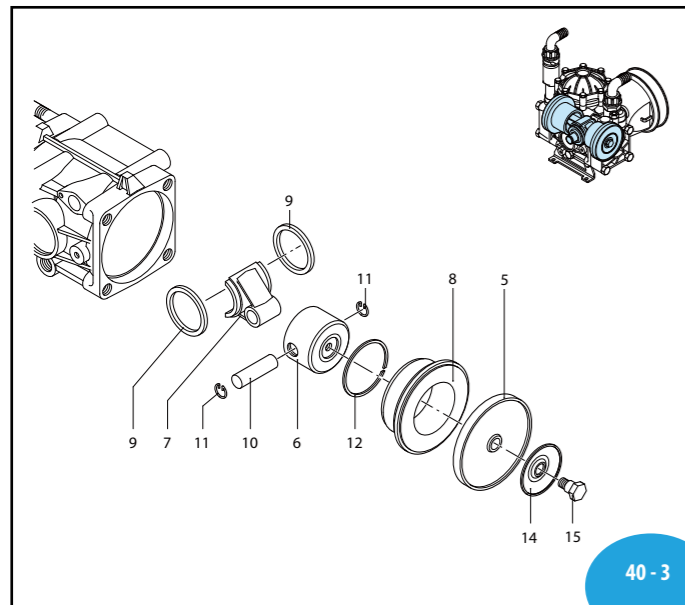
Used oil 使用机油		
Type / 类型	Kg	
SAE 30	0,7	



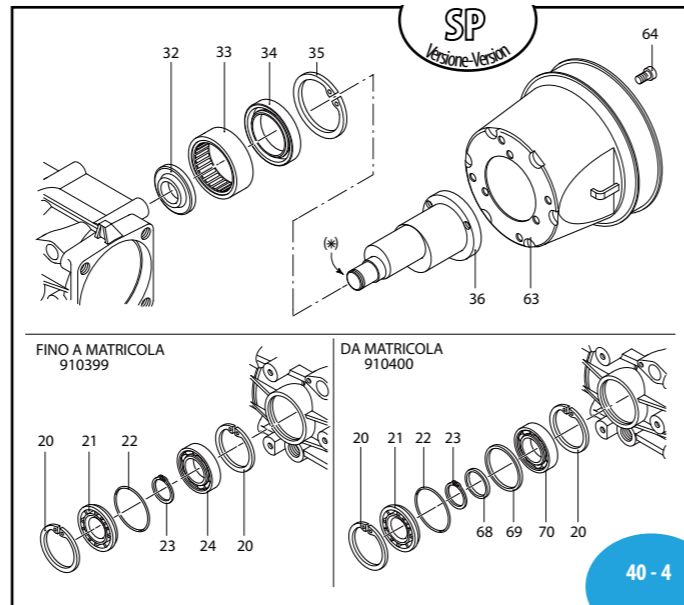
UN000352-DD



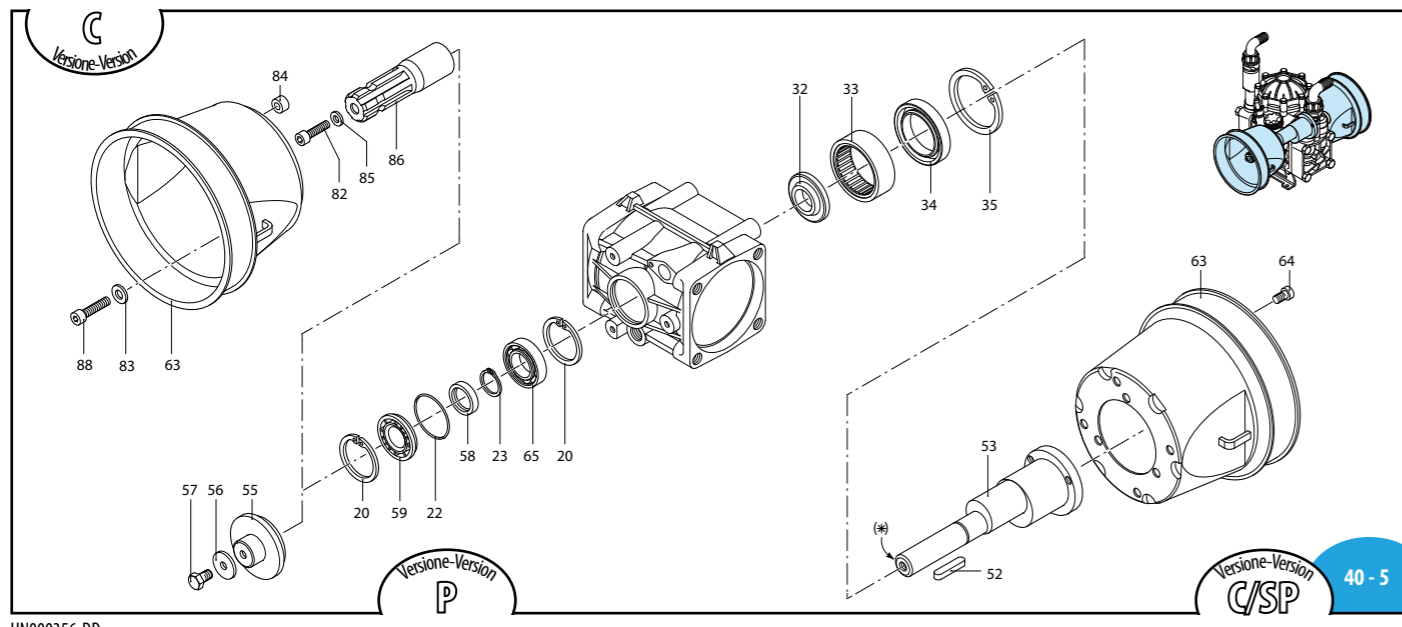
UN000353-DD



UN000354-DD



UN000355-LE



UN000356-DD

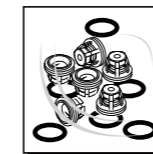
Pos.	Cod.	Descrizione	Description	Q.ty	Note
1	620011	Corpo pompa	Pump body	1	
2	620101	Testa DX	Right head	1	
3	620102	Testa SX	Left head	1	
4	621430	Vite TE M 12x55	Bolt	8	C 50
6	620080	Membrana	Diaphragm	2	Gomma
7	620081	Membrana	Diaphragm	2	Viton
8	620085	Membrana	Diaphragm	2	Desmopan
6	620120	Pistone	Piston	2	
7	620140	Biella	Connecting rod	2	
8	620110	Camicia	Sleeve	2	
9	580470	Anello biella	Con rod pin	2	
10	380300	Spinotto	Piston pin	2	
11	380080	Anellino spinotto	Pin ring	4	
12	160230	Segmento	Piston ring	2	
14	1040180	Piastra di richiamo	Plate	2	
15	580360	Perno membrana	Diaphragm pin	2	● C 20
16	180150	Dado M 10	Nut	2	
10	620030	OR ø 25,80x3,53	O-Ring	4	▶ Viton
10	620031	OR ø 25,80x3,53	O-Ring	4	
19	629050	Valvola completa	Complete valve	4	
20	111120	Anello seeger	Circlip	2	
21	620020	Coperchietto chiuso	Cover	1	
22	620210	OR ø 40,95x2,62	O-Ring	1	▶
23	620291	Anello seeger	Circlip	1	
24	620191	Cuscinetto	Bearing	1	
25	850850	Vite TCEI M 6x30	Bolt	2	C 10
26	550331	Rosetta øi 6,5	Washer	2	
28	180101	OR ø 17,5x2	O-Ring	2	▶
29	550030	Serbatoio olio	Oil tank	1	
30	550040	OR ø 26,65x2,62	O-Ring	1	▶
31	550050	Tappo serbatoio olio	Oil tank cap	1	
32	620160	Distanziale	Spacer	1	
33	550060	Boccola a rullini	Roller bushing	1	
34	620130	Anello tenuta	Seal ring	1	▶
35	620330	Anello seeger	Circlip	1	
36	620170	Albero eccentrico "SP"	"SP" shaft	1	(N)
37	620150	Attacco aspirazione	Suction manifold	1	
38	550340	Nipples 1"G(M)-1"G(M)	Threaded adapter	1	
39	550350	OR ø 23,81x2,62	O-Ring	1	▶
40	550242	Girello 1"G	Ring nut	1	
41	550370	Curva ø 25	Elbow	1	
42	390060	OR ø 20,63x2,62	O-Ring	4	▶
44	621780	Vite TE M 8x40	Bolt	8	C 20
45	620230	Semisfera superiore	Upper air chamber	1	
550190	Semicamera aria	Semi air chamber	1	Gomma	
550191	Semicamera aria	Semi air chamber	1	Saturflon	
550192	Semicamera aria	Semi air chamber	1	Viton	
620180	Semicamera inf.	Lower air chamber	1		

Pos.	Cod.	Descrizione	Description	Q.ty	Note
47	629209	Semicamera inf.compl.	Compl.lower air chamb.	1	Vedi / See ●
49	650542	Guarnizione	Gasket	1	▶
50	180020	Valvola di gonfiaggio	Air valve	1	
51	390290	OR ø 29x3	O-Ring	1	▶
52	620680	Linguetta	Key	1	Per / For 620172
620172	Albero passante "C/SP"	Through-shaft "C/SP"	1	ø 20 mm (P)	
620174	Albero passante "C/SP"	Through-shaft "C/SP"	1	ø 3/4" (R)	
54	659209	Prem. membranina asp.	Suct. diaphragm assembly	1	
55	620661	Flangia	Flange	1	
56	620670	Rosetta øi 8,5	Washer	1	
57	180370	Vite TE M 8x25	Bolt	1	C 20
58	620630	Anello tenuta	Seal ring	1	
59	620021	Coperchietto passante	Cover	1	
60	650660	Porta membrana	Diaphragm holder	1	■
61	650670	Membranina asp.	Suction diaphragm	1	
62	651670	Fascetta	Clamp	1	
63	1500350	Protezione cardano	Cardan protection	1	
64	820670	Vite TCEI M 10x16	Bolt	4	C 10
65	620190	Cuscinetto	Bearing	1	
66	880530	Tappo 3/8" G	Plug	1	C 20
67	740290	OR ø 14x1,78	O-Ring	1	▶
68	620930	Distanziale cuscinetto	Spacer	1	
69	620940	Distanziale cuscinetto	Spacer	1	
70	380230	Cuscinetto	Bearing	1	
71	380210	Vite TE M 8x75	Bolt	2	C 30
72	380240	Dado M 8	Nut	2	
73	380200	Piede	Base	2	
74	390270	Dado M 8	Nut	2	C 20
75	450145	Flangia raccordo	Flange	1	
76	110130	Racc.1/2" G+tub. ø13	Fitting 1/2" G+hose ø13	1	
77	1522	Camera aria completa	Complete air chamber	1	
78	550460	Curva ø 18	Elbow	1	
79	550450	Girello 3/4" G	Ring nut	1	
80	880831	OR ø 15,54x2,62	O-Ring	1	Viton ▶
81	1609001	Valvola di sicurezza	Safety valve	1	●
82	680350	Vite TCEI M 8x35	Bolt	1	C 20
83	380241	Rosetta øi 8,5	Washer	3	
84	1200521	Distanziale	Spacer	3	
85	961340	Rosetta øi 8,5	Washer	1	
86	621370	Giunto	Universal joint	1	Per / For 620172
87	550350	OR ø 23,81x2,62	O-Ring	1	▶
88	680350	Vite TCEI M 8x35	Bolt	3	C 10

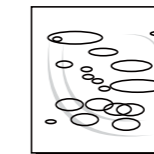
● Completa di tappo ed or per versioni senza valvola di sicurezza.
With plug and o-ring for version without safety valve.



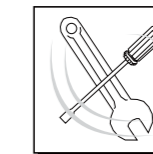
KIT 1930 Membrane gomma Buna diaphragms	
Pos.	Q.ty
5	
2	



KIT 1917 Valvole Valves	
Pos.	Q.ty
18	4
19	4



KIT 1916 OR O-Rings	
Pos.	Q.ty
18	4
22	1
28	2
39	2
42	4
49	1
51	1
67	1



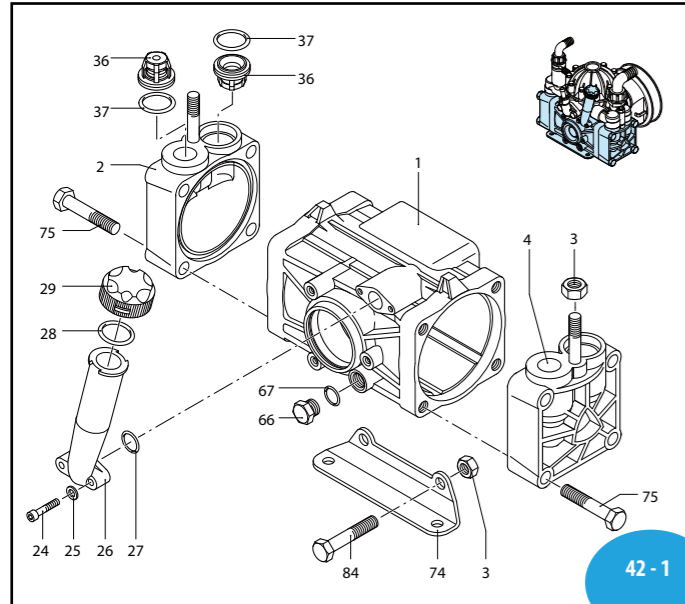
KIT 1915 Pronto intervento Maintenance repair					
Pos.	Q.ty	Pos.	Q.ty	Pos.	Q.ty
5	2	40	1		
13	1	41	1		
14	1	42	4		
15	1	46	1		
18	4	49	1		
19	4	51	1		
22	1	61	1		
28	2	67	1		
29	1				
39	2				



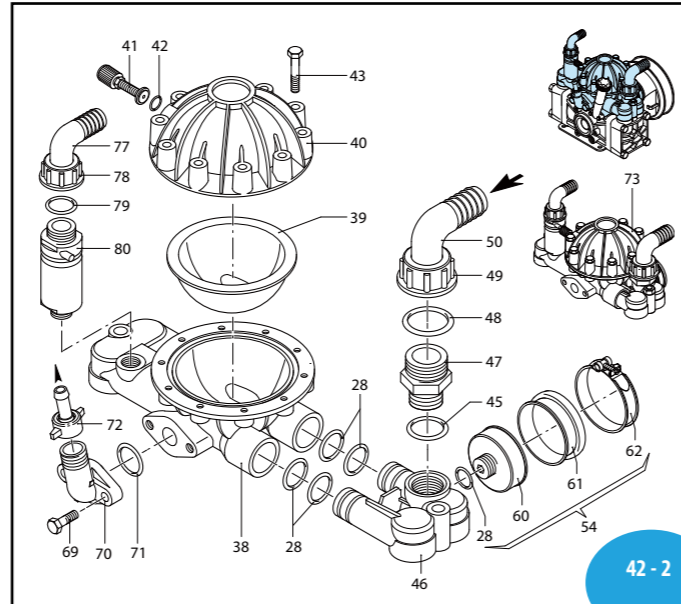
Olio utilizzato Used oil		
Tipo - Type	Kg	
SAE 30	0,7	

Media Pressione
Medium Pressure

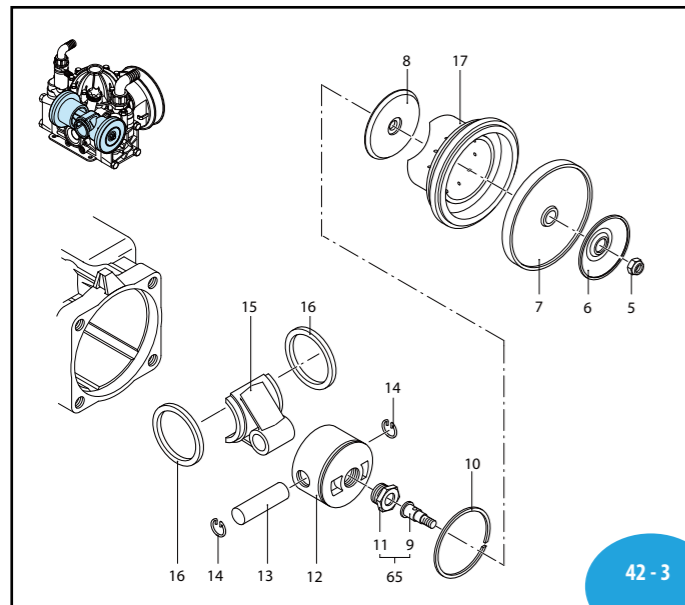
C10453MG



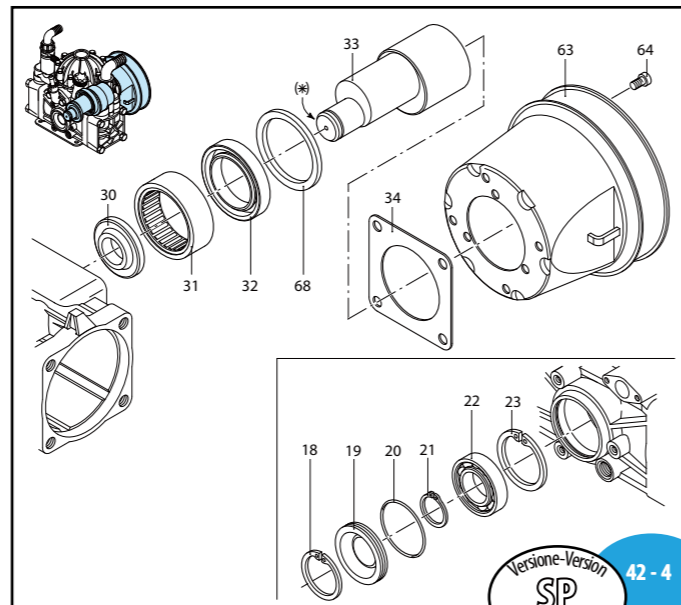
UN000357-BE



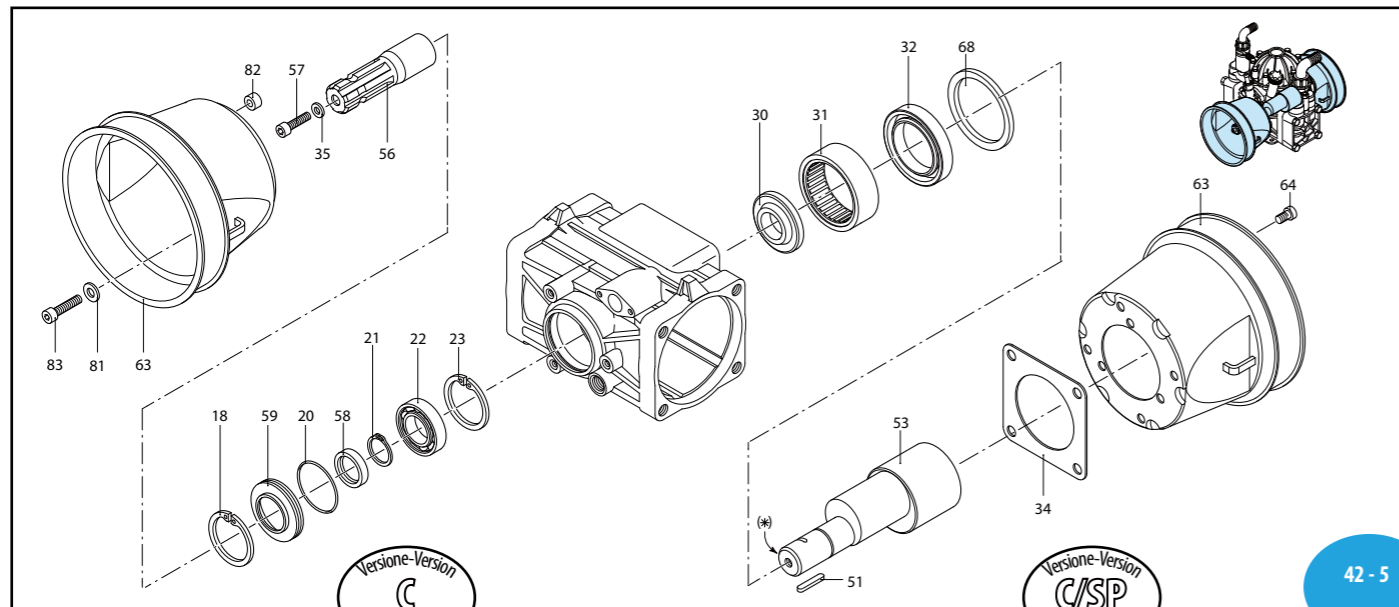
UN000358-ED



UN000359-BE



UN000360-LE



UN000361-LE

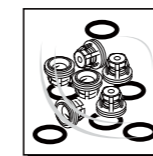
Pos. 序号	Cod. 编号	Description 描述	Q.ty 数量	Note 备注
1	650011	Pump body 泵体	1	
2	650102	Left head 左泵头	1	
3	320130	Nut M 12 螺母	4	C 50
4	650101	Right head 右泵头	1	
5	160311	Nut M 8 H 10 螺母	2	C 20
6	650390	Plate 弹簧片	2	
7	650081	Diaphragm 隔膜	2	Viton
8	650082	Diaphragm 隔膜	2	Gomma
9	650085	Diaphragm 隔膜	2	Desmopan
10	650090	Plate 弹簧片	2	
11	650320	Diaphragm pin 隔膜插针	2	
12	650190	Piston ring 柱塞环	2	
13	650061	Bushing 套管	2	
14	650121	Piston 柱塞	2	
15	650071	Piston pin 柱塞插针	2	
16	160691	Pin ring 插针环	4	
17	650142	Connecting rod 连杆	2	
18	650130	Con rod pin 连杆插针	2	
19	650111	Sleeve 套筒	2	
20	200390	Circlip 卡簧	1	
21	650040	Pump body cover 泵体盖子	1	
22	650920	O-Ring ø 53,65x2,62 O型圈	1	
23	650480	Circlip 卡簧	1	
24	230330	Bearing 轴承	1	
25	161050	Circlip 卡簧	1	
26	850850	Bolt M 6x30 螺栓	2	C 10
27	550331	Washer øi 6,5 垫圈	2	
28	650030	Oil tank 机油箱	1	
29	180101	O-Ring ø 17,5x2 O型圈	2	
30	550040	O-Ring ø 26,65x2,62 O型圈	5	
31	550050	Oil tank cap 机油箱盖	1	
32	650160	Spacer 隔离片	1	
33	650200	Roller bearing 滚柱轴承	1	
34	1400150	Seal ring 密封环	1	
35	650170	"SP" shaft 轴	1	(S)
36	1400140	Flange 法兰	1	
37	961340	Washer øi 8,5 垫圈	1	
38	659050	Complete valve 单向阀	4	
39	320030	O-Ring ø 31,5x4,5 O型圈	4	
40	650180	Lower air chamber 降压气室	1	
41	659204	Compl.lower air chamb. 完全降压气室	1	Vedi / See ●
42	650520	Semi air chamber 半气室	1	
43	650230	Upper air chamber 升压气室	1	
44	180020	Air valve 空气阀	1	
45	650542	Gasket 垫片	1	
46	621780	Bolt M 8x40 螺栓	10	C 20
47	390290	O-Ring ø 29x3 O型圈	1	
48	650150	Suction manifold 抽吸歧管	1	

Pos. 序号	Cod. 编号	Description 描述	Q.ty 数量	Note 备注
47	450120	Threaded adapter 螺口连接器	1	
48	390290	O-Ring ø 29x3 O型圈	1	
49	580060	Ring nut 1"1/4 G 环形螺母	1	
50	580040	Elbow ø 30 弯管	1	
51	650250	Key 键	1	Per / For 650171
52	650171	Through-shaft "C/SP" 通过轴	1	ø 25 mm (T)
53	650178	Through-shaft "C/SP" 通过轴	1	ø 25,4 mm (U)
54	650179	Through-shaft "C/SP" 通过轴	1	ø 30 mm (V)
55	659209	Suct. diaphragm assembly 抽吸隔膜组件	1	
56	650300	Ununiversal joint 通用关节	1	Per / For 650171
57	680350	Bolt M 8x35 螺栓	1	C 20
58	650490	Seal ring 密封环	1	
59	650041	Cover 盖子	1	
60	650660	Diaphragm holder 隔膜支托	1	
61	650670	Dampener diaphragm 减振隔膜	1	
62	651670	Clamp 束环	1	
63	1500350	Cardan protection 万向保护罩	2	
64	820670	Bolt M 10x16 螺栓	4	C 10
65	659080	Complete bushing 单向套管	2	
66	880530	Plug 3/8" G 插头	1	C 20
67	740290	O-Ring ø 14x1,78 O型圈	1	
68	1400110	"C/SP" flange spigot 法兰套管	1	
69	540290	Bolt M 8x25 螺栓	2	C 20
70	450145	Flange 法兰	1	
71	550350	O-Ring ø 23,81x2,62 O型圈	1	
72	110130	Fitting 1/2" G+hose ø13 接头	1	
73	1523	Complete air chamber 完全气室	1	
74	320392	Base 底座	2	
75	750060	Bolt M 12x65 螺栓	8	C 50
76	550460	Elbow ø 18 弯管	1	
77	550450	Ring nut 3/4" G 环形螺母	1	
78	880831	O-Ring ø 15,54x2,62 O型圈	1	Viton ▶
79	1609001	Safety valve 安全阀	1	
80	380241	Washer øi 8,5 垫圈	3	
81	1200521	Spacer 隔离片	3	
82	680350	Bolt M 8x35 螺栓	3	C 10
83	750060	Bolt M 12x65 螺栓	2	C 30

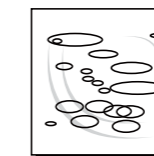
● With plug and o-ring for version without safety valve. 针对没有安全阀的型号使用插头和O型圈



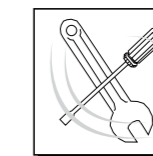
KIT 1931 Buna diaphragms 丁纳橡胶隔膜	
Pos. 序号	Q.ty 数量
7	2
2	



KIT 1920 Valves 单向阀	
Pos. 序号	Q.ty 数量
36	4
37	4



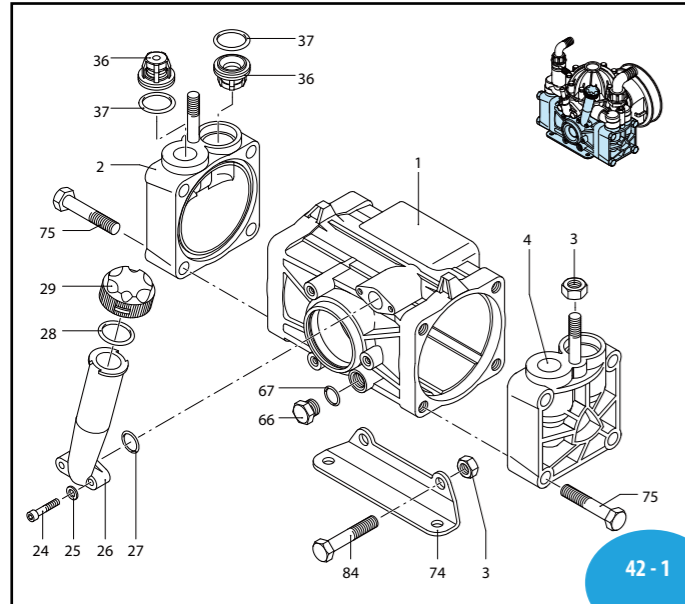
KIT 1919 O-Rings O型圈	
Pos. 序号	Q.ty 数量
20	1
27	2
28	5
37	4
42	1
45	1
67	1
71	1



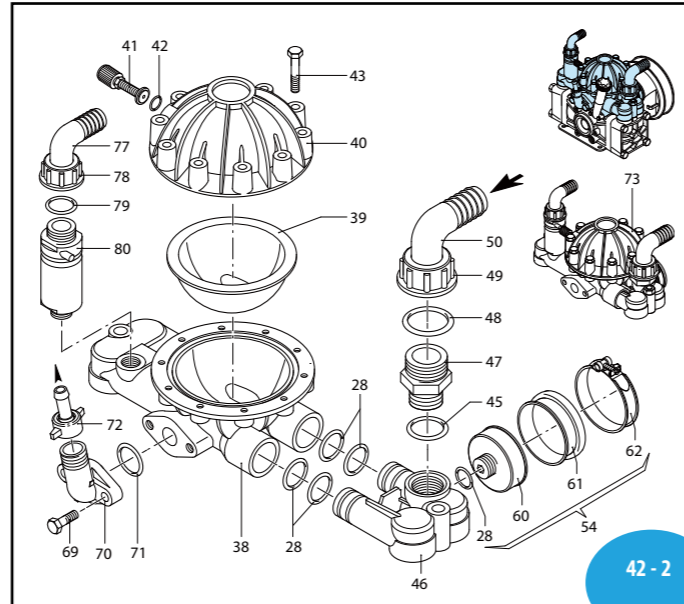
KIT 1918 Maintenance repair 维修工具					
Pos. 序号	Q.ty 数量	Pos. 序号	Q.ty 数量	Pos. 序号	Q.ty 数量
5	1	36	4		
6	1	37	4		
7	2	39	1		
8	1	42	1		
9	1	45	1		
11	1	49	1		
20	1	50	1		
26	1	61	1		
27	2	67	1		
28	5	71	1		



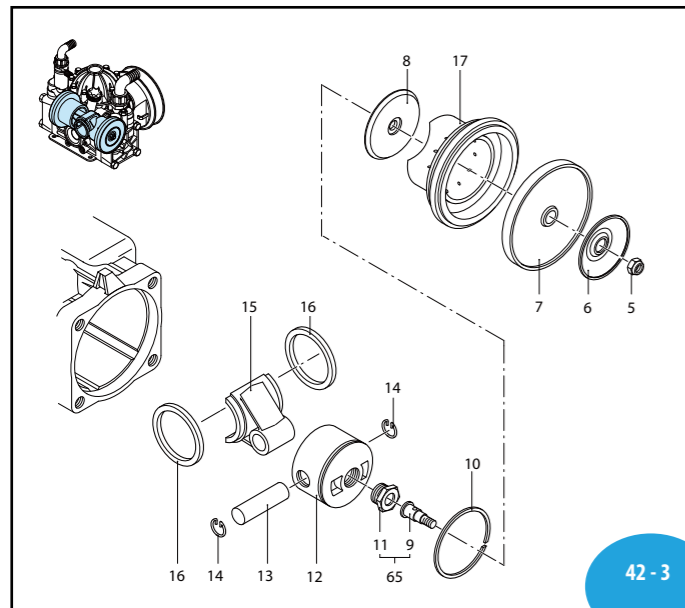
Used oil 使用机油		
Type / 类型		Kg
SAE 30		1



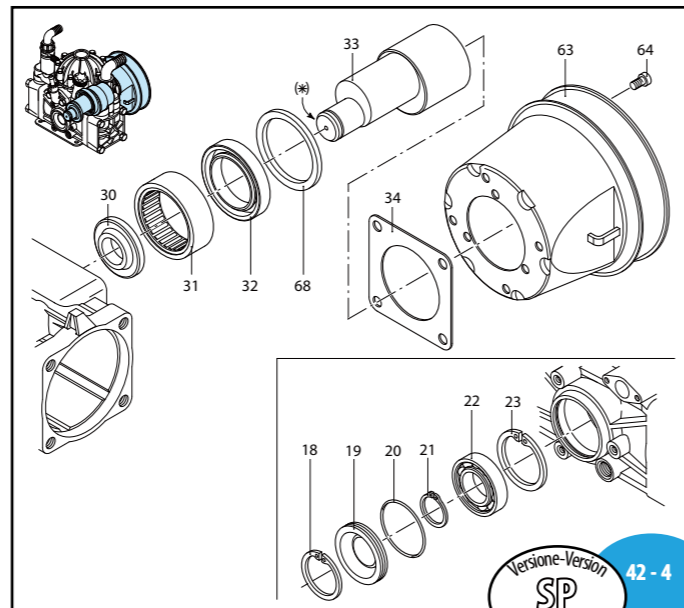
UN000357-BE



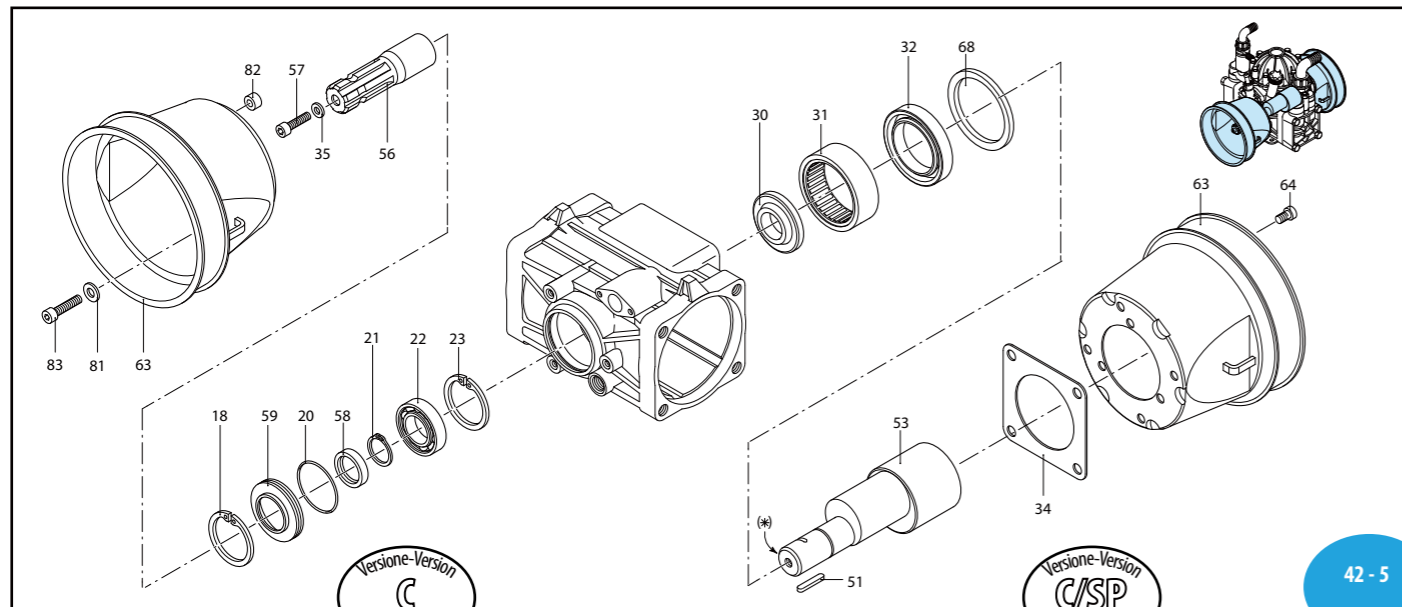
UN000358-ED



UN000359-BE



UN000360-LE



UN000361-LE

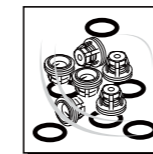
Pos.	Cod.	Descrizione	Description	Q.ty	Note
1	650011	Corpo pompa	Pump body	1	
2	650102	Testa SX	Left head	1	
3	320130	Dado M 12	Nut	4	C 50
4	650101	Testa DX	Right head	1	
5	160311	Dado M 8 H 10	Nut	2	C 20
6	650390	Piastra di richiamo	Plate	2	
7	650081	Membrana	Diaphragm	2	Viton
8	650082	Membrana	Diaphragm	2	Gomma
9	650085	Membrana	Diaphragm	2	Desmopan
10	650090	Piastra di spinta	Plate	2	
11	650320	Perno membrana	Diaphragm pin	2	
12	650190	Segmento	Piston ring	2	
13	650061	Bussola di richiamo	Bushing	2	
14	650121	Pistone	Piston	2	
15	650071	Spinotto	Piston pin	2	
16	160691	Anellino spinotto	Pin ring	4	
17	650142	Biella	Connecting rod	2	
18	650130	Anello biella	Con rod pin	2	
19	650111	Camicia	Sleeve	2	
20	200390	Anello seeger	Circlip	1	
21	650040	Coperchio corpo	Pump body cover	1	
22	650920	OR ø 53,65x2,62	O-Ring	1	
23	650480	Anello seeger	Circlip	1	
24	230330	Cuscinetto	Bearing	1	
25	161050	Anello seeger	Circlip	1	
26	850850	Vite TCEI M 6x30	Bolt	2	C 10
27	550331	Rosetta øi 6,5	Washer	2	
28	650030	Serbatoio olio	Oil tank	1	
29	180101	OR ø 17,5x2	O-Ring	2	
30	550040	OR ø 26,65x2,62	O-Ring	5	
31	550050	Tappo serbatoio olio	Oil tank cap	1	
32	650160	Distanziale	Spacer	1	
33	650200	Cuscinetto a rullini	Roller bearing	1	
34	1400150	Anello tenuta	Seal ring	1	
35	650170	Albero ecc.universale	"SP" shaft	1	(S)
36	1400140	Flangia anello tenuta	Flange	1	
37	961340	Rosetta øi 8,5	Washer	1	
38	659050	Valvola completa	Complete valve	4	
39	320030	OR ø 31,5x4,5	O-Ring	4	
40	650180	Semicamera inf.	Lower air chamber	1	
41	659204	Semicamera inf.compl.	Compl.lower air chamb.	1	Vedi / See ●
42	650520	Semicamera aria inf.	Semi air chamber	1	
43	650230	Semicamera sup.	Upper air chamber	1	
44	180020	Valvola di gonfiaggio	Air valve	1	
45	650542	Guarnizione	Gasket	1	
46	621780	Vite TE M 8x40	Bolt	10	C 20
47	390290	OR ø 29x3	O-Ring	1	
48	650150	Attacco aspirazione	Suction manifold	1	

Pos.	Cod.	Descrizione	Description	Q.ty	Note
47	450120	Nipples 1"-1 1/4 G (M)	Threaded adapter	1	
48	390290	OR ø 29x3	O-Ring	1	
49	580060	Girello 1 1/4 G	Ring nut	1	
50	580040	Curva ø 30	Elbow	1	
51	650250	Linguetta	Key	1	Per / For 650171
52	650171	Albero passante "C/SP"	Through-shaft "C/SP"	1	ø 25 mm (T)
53	650178	Albero passante "C/SP"	Through-shaft "C/SP"	1	ø 25,4 mm (U)
54	650179	Albero passante "C/SP"	Through-shaft "C/SP"	1	ø 30 mm (V)
55	659209	Prem. membranina asp.	Suct. diaphragm assembly	1	
56	650300	Giunto cardano	Universal joint	1	Per / For 650171
57	680350	Vite TCEI M 8x35	Bolt	1	C 20
58	650490	Anello tenuta	Seal ring	1	
59	650041	Coperchietto	Cover	1	
60	650660	Porta membrana	Diaphragm holder	1	
61	650670	Membranina asp.	Dampener diaphragm	1	
62	651670	Fascetta	Clamp	1	
63	1500350	Protezione cardano	Cardan protection	2	
64	820670	Vite TCEI M 10x16	Bolt	4	C 10
65	659080	Bussola completa	Complete bushing	2	
66	880530	Tappo 3/8" G	Plug	1	C 20
67	740290	OR ø 14x1,78	O-Ring	1	
68	1400110	Centraggio flangia "C/SP"	"C/SP" flange spigot	1	
69	540290	Vite TCEI M 8x25	Bolt	2	C 20
70	450145	Flangia raccordo	Flange	1	
71	550350	OR ø 23,81x2,62	O-Ring	1	
72	110130	Racc. 1/2" G+ tub. ø13	Fitting 1/2" G+hose ø13	1	
73	1523	Camera aria completa	Complete air chamber	1	
74	320392	Piede	Base	2	
75	750060	Vite TE M 12x65	Bolt	8	C 50
76	550460	Curva ø 18	Elbow	1	
77	550450	Girello 3/4" G	Ring nut	1	
78	880831	OR ø 15,54x2,62	O-Ring	1	Viton
79	1609001	Valvola di sicurezza	Safety valve	1	
80	380241	Rosetta øi 8,5	Washer	3	
81	1200521	Distanziale	Spacer	3	
82	680350	Vite TCEI M 8x35	Bolt	3	C 10
83	750060	Vite TE M 12x65	Bolt	2	C 30

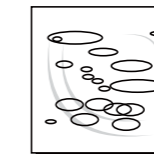
● Completa di tappo ed or per versioni senza valvola di sicurezza.
With plug and o-ring for version without safety valve.



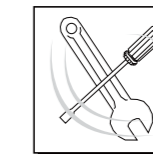
KIT 1931 Membrane gomma Buna diaphragms	
Pos.	Q.ty
7	
2	



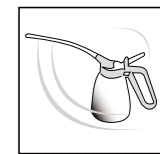
KIT 1920 Valvole Valves	
Pos.	Q.ty
36	4
37	4



KIT 1919 OR O-Rings	
Pos.	Q.ty
20	1
27	2
28	5
37	4
42	1
45	1
67	1
71	1



KIT 1918 Pronto intervento Maintenance repair					
Pos.	Q.ty	Pos.	Q.ty	Pos.	Q.ty
5	1	36	4		
6	1	37	4		
7	2	39	1		
8	1	42	1		
9	1	45	1		
11	1	49	1		
20	1	50	1		
26	1	61	1		
27	2	67	1		
28	5	71	1		



Olio utilizzato Used oil		
Tipo - Type		Kg
SAE 30		1