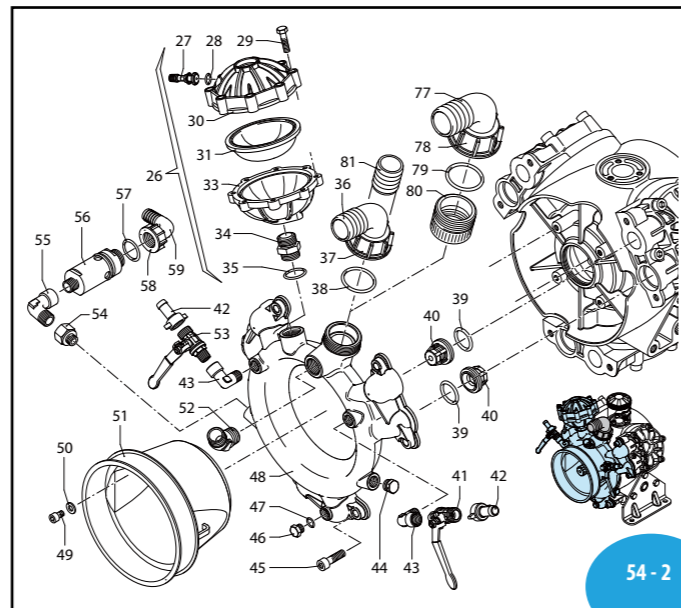


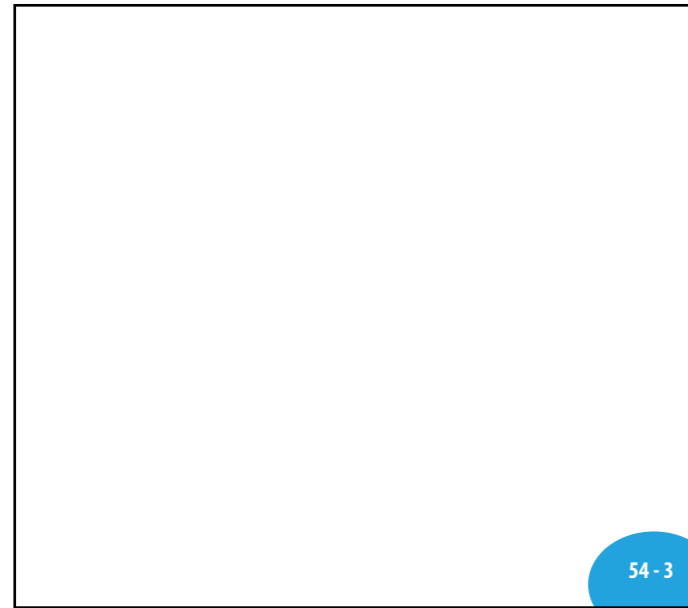
54 - 1

UN000683-DD

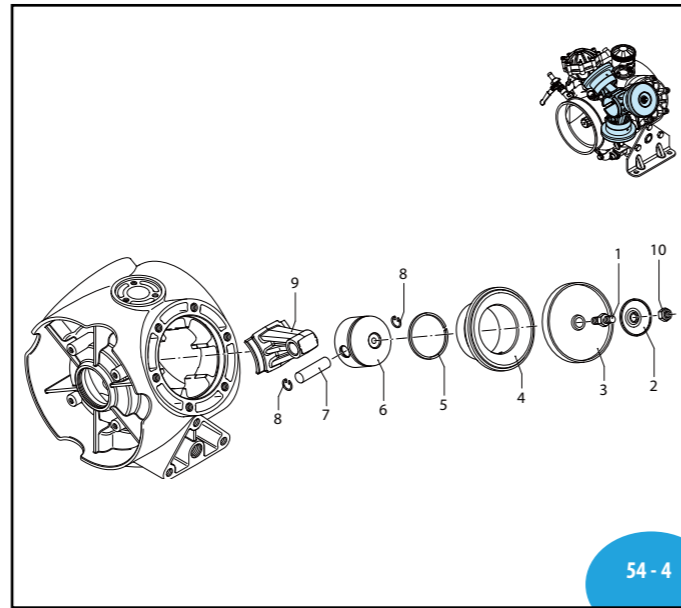


54 - 2

UN000684-LC

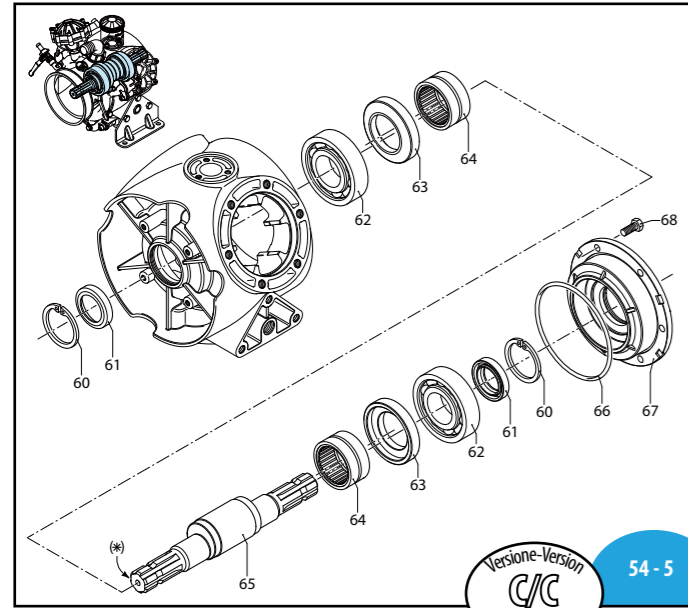


54 - 3



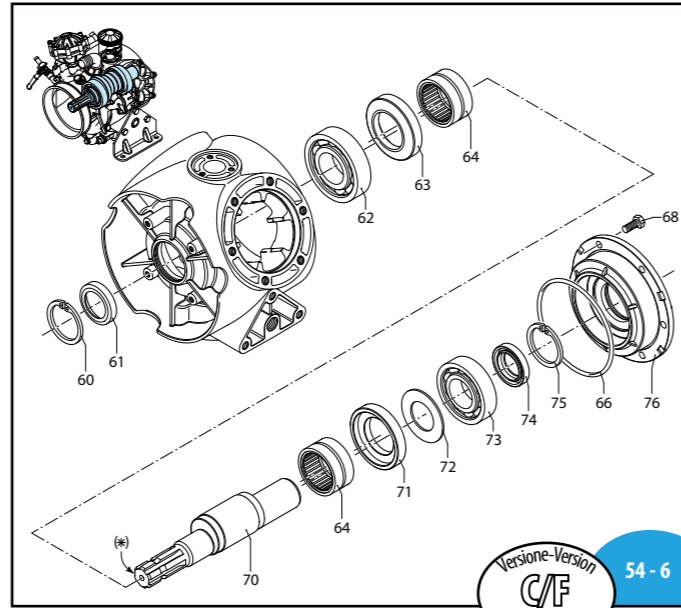
54 - 4

UN000685-DD



54 - 5

UN000686-DD



54 - 6

UN000687-DD

Pos. 序号	Cod. 编号	Description	描述	Q.ty 数量	Note 备注
1	2240100	Diaphragm pin	隔膜插针	3	C ₃₀
2	580090	Plate	弹簧片	3	
3	2240080	Diaphragm	隔膜	3	Gomma
3	2240085	Diaphragm	隔膜	3	Desmopan
4	2240560	Sleeve	套筒	3	BHA 130
4	2240520	Sleeve	套筒	3	BHA 150
5	2240570	Piston ring	柱塞环	3	BHA 130
5	2240360	Piston ring	柱塞环	3	BHA 150
6	2240550	Piston	柱塞	3	BHA 130
6	2240350	Piston	柱塞	3	BHA 150
7	2240580	Piston pin	柱塞插针	3	BHA 130
7	540070	Piston pin	柱塞插针	3	BHA 150
8	160691	Pin ring	插针环	6	
9	2240090	Connecting rod	连杆	3	
10	2240110	Nut	螺母	3	C ₃₀
11	1800060	Black oil tank cap	黑色机油箱盖	1	BHA 130
11	750050	Red oil tank cap	红色机油箱盖	1	BHA 150
12	1040060	O-Ring	Ø 72,69x2,62	1	O型圈
14	540290	Bolt	M 8x25	3	C ₁₀
15	2240070	Oil tank	机油箱	1	
16	2240270	O-Ring	Ø 67,95x2,62	1	O型圈
17	2240011	Pump body	泵体	1	
18	2240452	Right head	右泵头	2	
20	2240470	Bolt	M 12x70	18	C ₅₀
21	180101	O-Ring	Ø 17,5x2	2	O型圈
22	2240190	Base	底座	2	
23	540100	Bolt	M 12x40	6	C ₅₀
24	820361	Cap	1/2" G	2	Ottone/Brass C ₂₀
25	2240453	Left head	左泵头	1	
26	1527	Complete air chamber	单向阀	1	
27	180020	Air valve	空气阀	1	C ₄
28	650542	Gasket	垫片	1	
29	380410	Bolt	M 8x40	8	C ₂₀
30	620234	Upper air chamber	升压阀	1	
31	550190	Semi air chamber	半气室	1	
33	2240481	Lower air chamber	降压阀	1	
34	2240490	Threaded adapter	螺口连接器	1	Ottone/Brass (a)
35	720030	O-Ring	Ø 22,22x2,62	1	O型圈
36	540550	Elbow	Ø 40	1	弯管
37	540540	Ring nut	1 3/4 G	1	环形螺母
38	250310	O-Ring	Ø 36,14x2,62	1	O型圈
39	680070	O-Ring	Ø 31,5x4,25	6	O型圈
40	759051	Complete valve	单向阀	6	
41	130491	Right valve	右侧阀	1	C ₂₀
42	110130	Fitting 1/2" G+hose Ø13	接头	2	
43	900210	Valve elbow	阀弯管	2	
44	880530	Plug	3/8" G	1	C ₂₀
45	650330	Bolt	M 10x35	6	C ₄₀

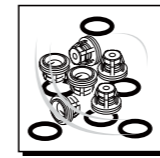
Pos. 序号	Cod. 编号	Description	描述	Q.ty 数量	Note 备注
46	880581	Plug	1/4" G	1	C ₂₀
47	820510	O-Ring	Ø 10,82x1,78	1	O型圈
48	2240461	Manifold	歧管	1	
49	850250	Bolt	M 8x12	4	C ₁₀
50	390311	Washer	Ø 8,5	4	
51	1500470	Cardan protection	万向保护罩	1	
52	851650	Outlet elbow	出水口弯管	1	
53	130492	Left valve	左侧阀	1	C ₂₀
54	881461	Threaded adapter	螺口连接器	1	
55	881560	Elbow 90° 1/2" G (M)-(F)	弯管	1	
56	1609002	Safety valve	安全阀	1	
57	880831	O-Ring	Ø 15,54x2,62	1	O型圈
58	550450	Ring nut	3/4" G	1	环形螺母
59	550460	Elbow	Ø 18	1	弯管
60	2240160	Circlip	卡簧	2	
61	2240150	Seal ring	密封环	2	
62	2240430	Bearing	轴承	2	
63	2240121	Con rod ring	连杆环	2	
64	850320	Roller bearing	滚柱轴承	2	
65	2240173	"C/C" shaft	轴	1	(BE)
66	2240290	O-Ring	Ø 152,7x2,62	1	O型圈
67	2240020	Flange	法兰	1	
68	160670	Bolt	M 10x25	6	C ₄₀
70	2240620	"C/F" shaft	轴	1	Ø 32 (DH)
71	2240410	"C/F" shaft	轴	1	Ø 1" 3/8 (BG)
72	2240390	Con rod ring	连杆环	1	
73	2240400	Ring	环	1	
74	2240440	Bearing	轴承	1	
75	1800090	Seal ring	密封环	1	
76	620330	Circlip	卡簧	1	
77	2240610	Flange	法兰	1	Ø 32
77	2240370	Flange	法兰	1	Ø 1" 3/8 ↓
77	760020	Elbow	Ø 50	1	弯管
78	760040	Ring nut	2" G	1	环形螺母
79	620210	O-Ring	Ø 40,95x2,62	1	O型圈
80	2380080	Threaded adapter	螺口连接器	1	Optional
81	392190	Hose tail	Ø 40	1	软管接头

High Pressure 高压



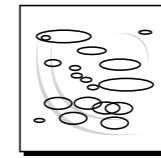
KIT 2444
Buna diaphragms
丁纳橡胶隔膜

Pos. 序号	Q.ty 数量
3	3



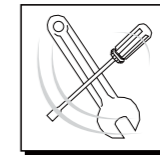
KIT 2445
Valves
单向阀

Pos. 序号	Q.ty 数量
39	6
40	6



KIT 2446
O-Rings
O型圈

Pos. 序号	Q.ty 数量
12	1
16	1
21	2
35	1
38	1
39	6
47	1
57	1
66	1



KIT 2447
Maintenance repair
维修工具

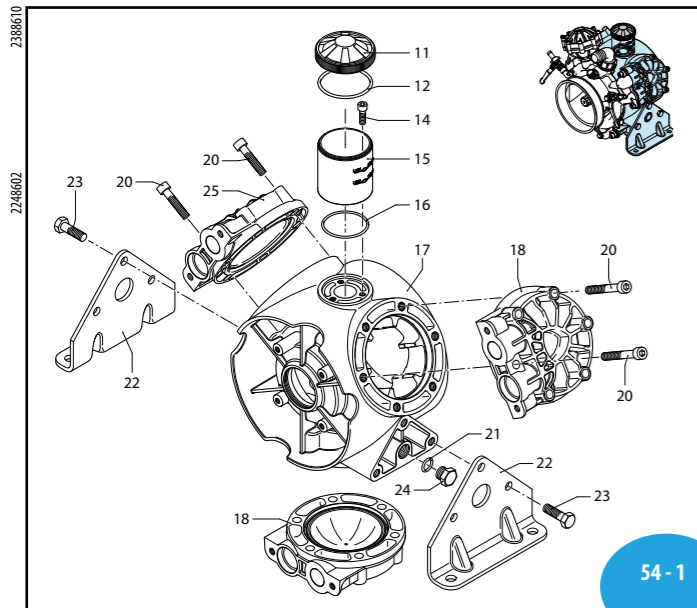
Pos. 序号	Q.ty 数量	Pos. 序号	Q.ty 数量	Pos. 序号	Q.ty 数量
1	2	39	6		
2	2	40	6		
3	3	61	2		
10	2	66	1		
12	1	74	1		
15	1				
16	1				
21	2				
35	1				
38	1				



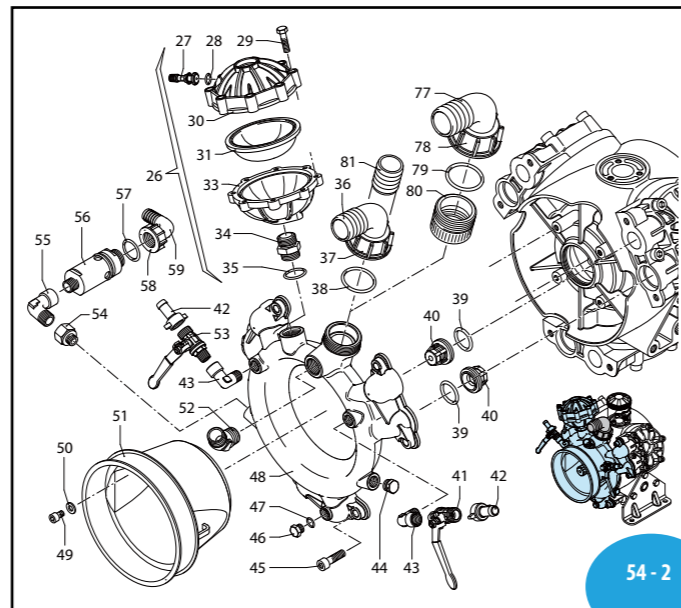
Used oil
使用机油

Type / 类型	Kg
SAE 30	2,4

(a) Avvitare pos. 24 su pos. 48 con ■



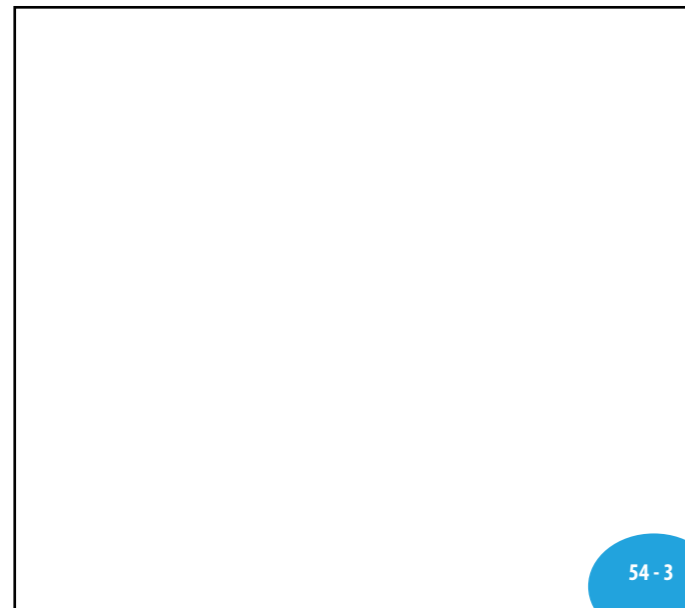
54 - 1



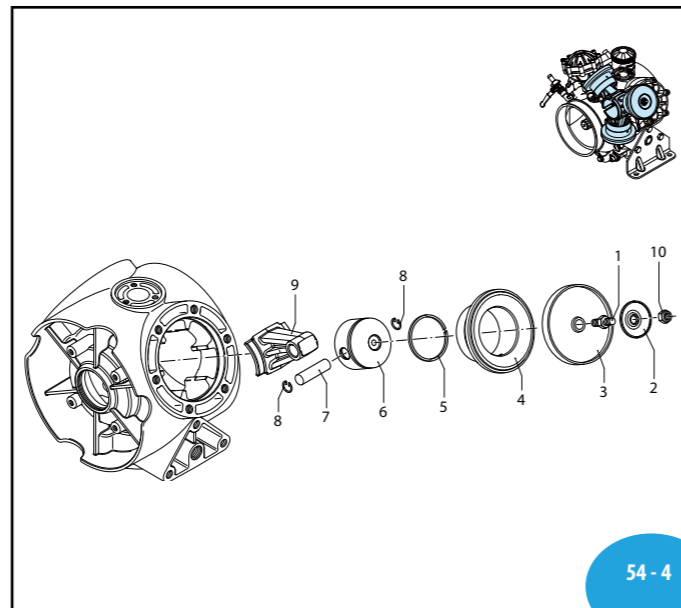
54 - 2

UN000683-DD

UN000684-LC

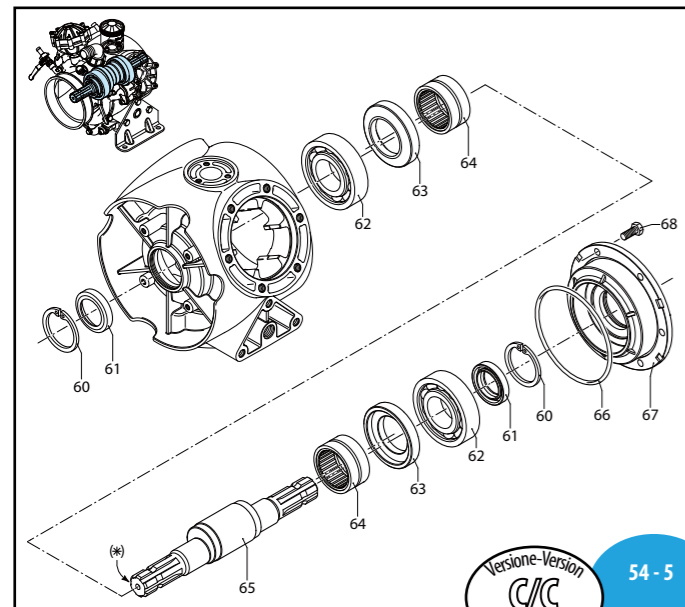


54 - 3



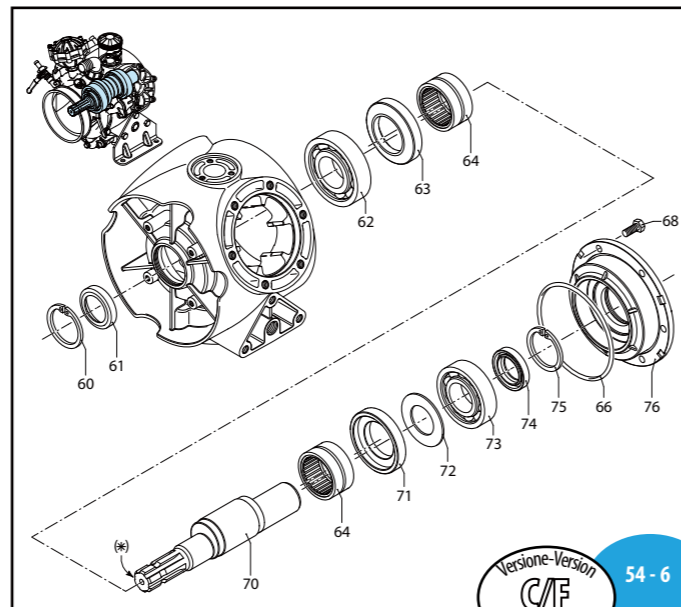
54 - 4

UN000685-DD



54 - 5

UN000686-DD



54 - 6

UN000687-DD

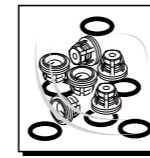
Pos.	Cod.	Descrizione	Description	Q.ty	Note
1	2240100	Perno membrana	Diaphragm pin	3	C ₃₀
2	580090	Piastra di richiamo	Plate	3	
3	2240080	Membrana	Diaphragm	3	Gomma
3	2240085	Membrana	Diaphragm	3	Desmopan
4	2240560	Camicia	Sleeve	3	BHA 130
4	2240520	Camicia	Sleeve	3	BHA 150
5	2240570	Segmento	Piston ring	3	BHA 130
5	2240360	Segmento	Piston ring	3	BHA 150
6	2240550	Pistone	Piston	3	BHA 130
6	2240350	Pistone	Piston	3	BHA 150
7	2240580	Spinotto	Piston pin	3	BHA 130
7	540070	Spinotto	Piston pin	3	BHA 150
8	160691	Anellino spinotto	Pin ring	6	
9	2240090	Biella	Connecting rod	3	
10	2240110	Dado M 10	Nut	3	C ₃₀
11	1800060	Tappo serbatoio nero	Black oil tank cap	1	BHA 130
11	750050	Tappo serbatoio rosso	Red oil tank cap	1	BHA 150
12	1040060	OR ø 72,69x2,62	O-Ring	1	▶
14	540290	Vite TCEI M 8x25	Bolt	3	C ₁₀
15	2240070	Serbatoio olio	Oil tank	1	
16	2240270	OR ø 67,95x2,62	O-Ring	1	☒
17	2240011	Corpo pompa	Pump body	1	
18	2240452	Testa DX	Right head	2	
20	2240470	Vite TE M 12x70	Bolt	18	C ₅₀
21	180101	OR ø 17,5x2	O-Ring	2	
22	2240190	Piede	Base	2	
23	540100	Vite TE M 12x40	Bolt	6	C ₅₀
24	820361	Tappo 1/2" G	Cap	2	Ottone/Brass C ₂₀
25	2240453	Testa SX	Left head	1	
26	1527	Camera aria completa	Complete air chamber	1	
27	180020	Valvola di gonfiaggio	Air valve	1	C ₄
28	650542	Guarnizione	Gasket	1	▶
29	380410	Vite TE M 8x40	Bolt	8	C ₂₀
30	620234	Semisfera superiore	Upper air chamber	1	
31	550190	Semicamera aria	Semi air chamber	1	
33	2240481	Semicamera inferiore	Lower air chamber	1	■
34	2240490	Nipples camera aria	Threaded adapter	1	Ottone/Brass (a)
35	720030	OR ø 22,22x2,62	O-Ring	1	▶
36	540550	Curva ø 40	Elbow	1	
37	540540	Girello 1"3/4 G	Ring nut	1	
38	250310	OR ø 36,14x2,62	O-Ring	1	▶
39	680070	OR ø 31,5x4,25	O-Ring	6	▶ 90Sh
40	759051	Valvola completa	Complete valve	6	
41	130491	Rub. 3/8"-1/2" G (M) DX	Right valve	1	C ₂₀
42	110130	Racc. 1/2" G+tub. ø13	Fitting 1/2" G+hose ø13	2	
43	900210	Curva rubinetto	Valve elbow	2	☉
44	880530	Tappo 3/8" G	Plug	1	C ₂₀
45	650330	Vite TCEI M 10x35	Bolt	6	C ₄₀

Pos.	Cod.	Descrizione	Description	Q.ty	Note
46	880581	Tappo 1/4" G	Plug	1	C ₂₀
47	820510	OR ø 10,82x1,78	O-Ring	1	▶
48	2240461	Cond. aspirazione/mandata	Manifold	1	
49	850250	Vite TCEI M 8x12	Bolt	4	C ₁₀
50	390311	Rosetta ø 8,5	Washer	4	
51	1500470	Protezione cardano	Cardan protection	1	
52	851650	Curva di mandata	Outlet elbow	1	☉
53	130492	Rub. 3/8"-1/2" G (M) SX	Left valve	1	C ₂₀
54	881461	Manic. 3/8"-1/2" G (M)-(F)	Threaded adapter	1	☉
55	881560	Gomito 90° 1/2" G (M)-(F)	Elbow	1	☉
56	1609002	Valvola di sicurezza	Safety valve	1	■
57	880831	OR ø 15,54x2,62	O-Ring	1	▶
58	550450	Girello 3/4" G	Ring nut	1	
59	550460	Curva ø 18	Elbow	1	
60	2240160	Anello seeger	Circlip	2	
61	2240150	Anello tenuta	Seal ring	2	
62	2240430	Cuscinetto	Bearing	2	↓
63	2240121	Anello biella	Con rod ring	2	☒
64	850320	Cuscinetto a rullini	Roller bearing	2	
65	2240173	Albero eccentrico "C/C"	"C/C" shaft	1	(BE)
66	2240290	OR ø 152,7x2,62	O-Ring	1	☒
67	2240020	Flangia supp. cuscinetto	Flange	1	☒
68	160670	Vite TE M 10x25	Bolt	6	C ₄₀
70	2240620	Albero eccentrico "C/F"	"C/F" shaft	1	ø 32 (DH)
71	2240390	Anello biella	Con rod ring	1	ø 1" 3/8 (BG)
72	2240400	Anello	Ring	1	
73	2240440	Cuscinetto	Bearing	1	↓
74	1800090	Anello tenuta	Seal ring	1	
75	620330	Anello seeger	Circlip	1	
76	2240610	Flangia supp. cuscinetto	Flange	1	ø 32
77	2240370	Flangia supp. cuscinetto	Flange	1	ø 1" 3/8 ↓
77	760020	Curva ø 50	Elbow	1	Optional
78	760040	Girello 2" G	Ring nut	1	Optional
79	620210	OR ø 40,95x2,62	O-Ring	1	Optional
80	2380080	Nipples 2"-1"3/4 G (M)-(F)	Threaded adapter	1	Optional ☉
81	392190	Portagomma ø 40	Hose tail	1	Optional

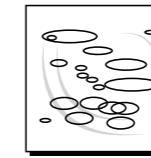
Alta Pressione
High Pressure



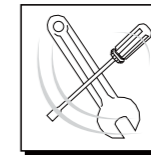
KIT 2444 Membrane gomma Buna diaphragms	
Pos.	Q.ty
3	3



KIT 2445 Valvole Valves	
Pos.	Q.ty
39	6
40	6



KIT 2446 OR O-Rings	
Pos.	Q.ty
12	1
16	1
21	2
35	1
38	1
39	6
47	1
57	1
66	1



KIT 2447 Pronto intervento Maintenance repair					
Pos.	Q.ty	Pos.	Q.ty	Pos.	Q.ty
1	2	39	6		
2	2	40	6		
3	3	61	2		
10	2	66	1		
12	1	74	1		
15	1				
16	1				
21	2				
35	1				
38	1				



Olio utilizzato Used oil		
Tipo - Type	Kg	
SAE 30	2,4	

(a) Avvitare pos. 24 su pos. 48 con ■

对不起，该文件暂时无法提供，请与我们的工作人员联系。

021-54846800